

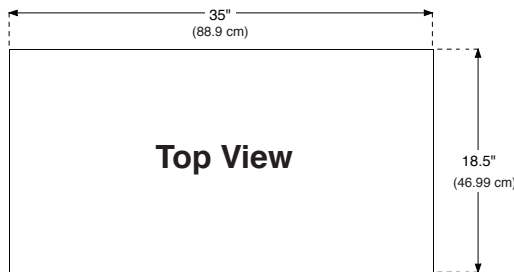
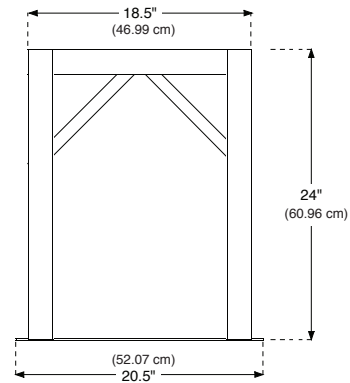
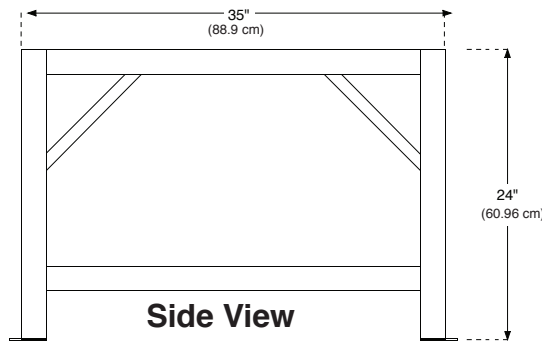


BIG DIPPER® Options

SFK-2 Support Frame Kit For Models: W-200-IS, W-250-IS, W-250-AST, W-350-IS, & W-500-IS

SFK-2 Big Dipper Unit Support Frame Kit

For those applications in a basement or another location requiring Big Dipper units to be raised off the floor, the optional SFK-2 Support Frame Kit is available. The sturdy, compact design lends itself easily to tight installations. The height of the frames allows use of the DRUM-55 Grease Collector when coupled with the SH-3-KIT Sump Adapter Kit. Shipped ready to assemble.



SFK-2

- For Models W-200-IS , W-250-IS, W-250-AST, W-350-IS, & W-500-IS
- Stainless Steel Construction
- Use with 55 Gallon Grease Barrel (DRUM-55)