

PRODUCT FEATURES

Constructed of corrosion resistant materials suitable for installation in virtually any location.

Compact footprint.

Baffle structure retains separated oils increasing retention efficiency of separator.

Includes dual 0-18" extension collars for in-ground installation.

SPECIFICATIONS

Construction: _____ Single-Piece Rotationally Molding Polyethylene Exterior Tank with Inlet/Outlet Inverts secured using Patented Interior Radial Compression Ring

Flow Rating*: _____ 100 gpm (6.31 l/s)

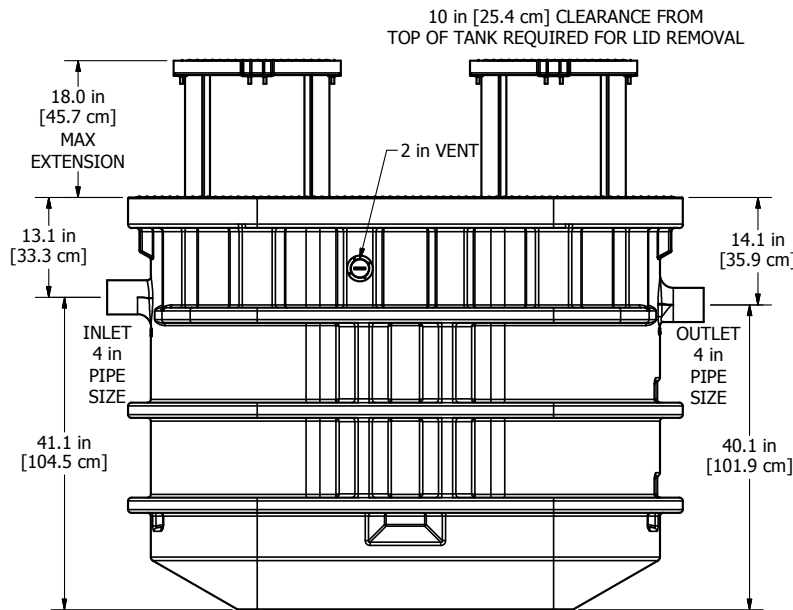
Liquid Capacity: _____ 274 gallons (1,037 L)

Oil Retention Capacity: _____ 248.77 Gallons (941 L)

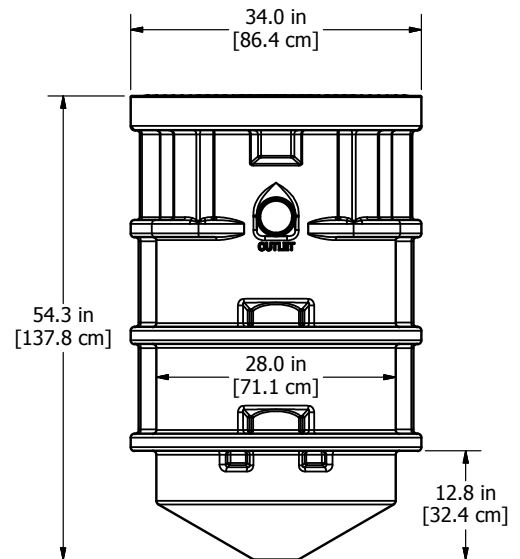
Sand/Grit Capacity: _____ 74 gallons (280 L)

Inlet/Outlet: _____ 4" (101 mm)

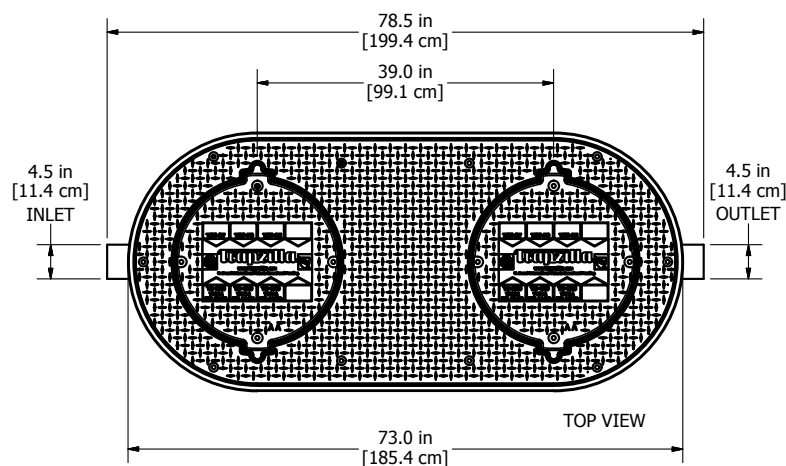
*Additional flow ratings based on mg/L effluent ratings available upon request.



SIDE VIEW
MAXIMUM
COLLAR
EXTENSION



END VIEW
COLLAR
FLUSH
(TRIMMED)



TOP VIEW



Trapzilla® Oil Water Separator

TZOWS-100 Specifications

NOTES

1. READ instruction manual included with system before installing/operating.
2. Unit requires 6" (15.24 cm) of clearance all the way around the lid from walls or other structures to allow for servicing.
3. Make piping connections with rubber "No Hub" connectors.
4. Keep outlet piping as straight as possible. Use only "sweep" connections.
5. Install vent on outlet piping.
6. If installing in conjunction with other Trapzilla products, include cleanout port before, after, and/or between each unit.
7. Do not install "P" Trap on outlet connection of tank (unit already has internal gas trap).
8. Do not reduce pipe size on outlet piping
9. Do not pressure test unit.

Equipment must be installed in compliance with all applicable laws, regulations and codes, including plumbing codes. Installation should be performed by a qualified plumbing contractor.

JOB SPECIFICATION

Oil/Water separator(s) shall be Thermaco **Trapzilla** oil/water interceptor system(s) as manufactured by Thermaco, Inc., Asheboro, North Carolina as noted on plans.

SEPARATOR SPECIFICATIONS

Furnish and install _____ Thermaco Trapzilla Model No. TZOWS-100, rotationally molded polyethylene oil separator(s) for above ground installation, shall be rated at 100 GPM (6.31 l/s) with 248.77 Gallons (941 L) of total oil storage capacity with flat oil separation efficiency curve capable of holding 90% of volume in free-floating oils at capacity, with removable cover for oil and sand/grit removal access, integral anti-flotation anchor ring for in-ground installation, integral horizontal baffle, laminar inlet flow diverter, integral vessel vent, separate storage compartments for oil and heavier than water solids, a unitary tank body and inlet/outlet structures without gasket interfaces, utilizing an interior radial compression ring conjoining invert to tank outlet/inlet structures without bulkhead fittings and/or gaskets, invert top and bottom secured attachment points, sloping conical bottom for solids retention, integral sewer gas trap, and a fully removable polyethylene self-positioning cover with sealed thread fasteners. Includes dual-entry extension collar assembly, linear low-density rotationally molded polyethylene for field adjustability to optimal installation depth.

SUBMITTAL OPTIONS

- 6" (150mm) Inlet/Outlet - Model# TZOWS-100-6
- Two ECA-TZ-29 Extension Collars (Two required for each TZOWS-100)
- TZOP-1826 Trapzilla One-Pour System (Includes Frame, MHC-1 Manhole Covers, and ECA-TZ-18 Extension Collars)
- Two MHC-1 H20 Rated Cast Iron Manhole Covers (Must be installed using civil engineering drawings provided by Thermaco)
- TZSP-40 Sampling Port with 4" Inlet/Outlet, 0.5" fall
- TZSP-48 Sampling Port with 4" Inlet/Outlet, 7.8" fall
- TSS-95 Solids Interceptor for additional Sand/Grit Capacity
- VFCA-100 Vented Flow Control Assembly for installation at plumbing fixture level to limit flow to 100 gpm for installations with head height greater than 6'
- MFSH-44 Molded Flow Splitter Assembly for evenly diverting flow to two separate 4" Trapzilla units
- MFSH-66 Molded Flow Splitter Assembly for evenly diverting flow to two separate 6" Trapzilla units