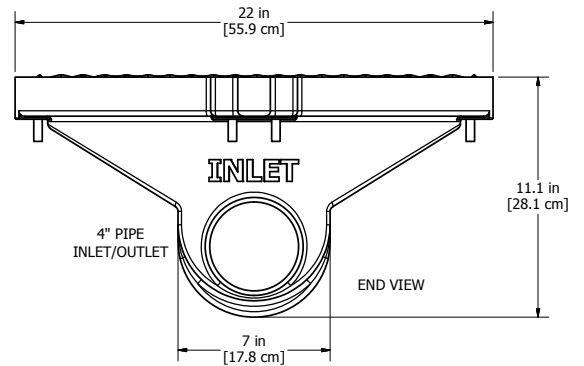
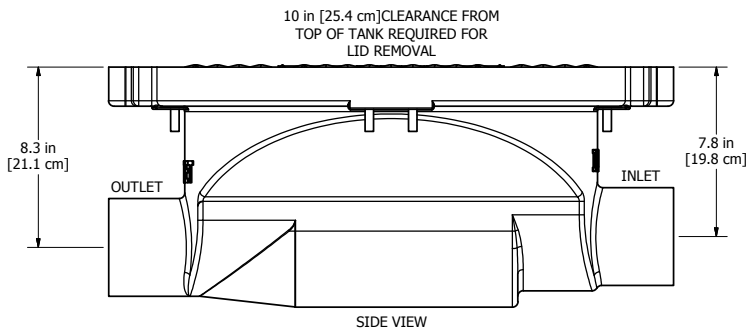
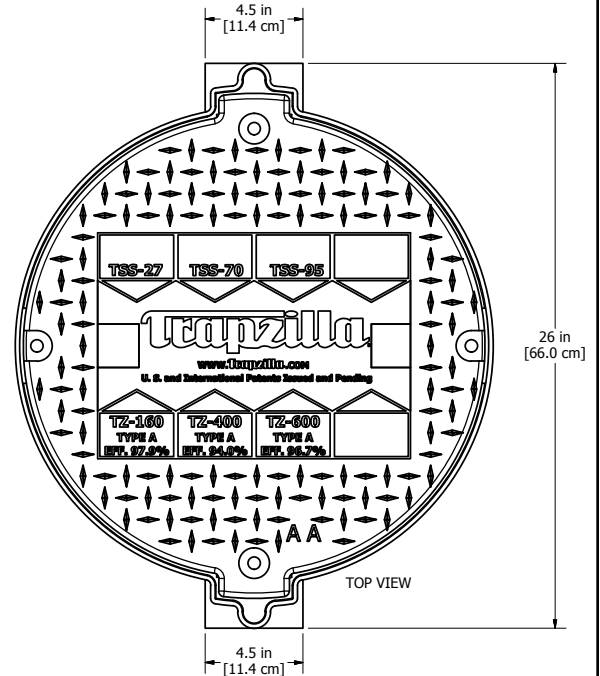


### FEATURES:

- Constructed of corrosion resistant materials suitable for installation in virtually any location.
- Compact footprint.
- 0.5" (12.7 mm) fall for horizontal filling access.
- Optional field-modifiable extension collar available to bring lid up to grade.
- Patent-pending flume technology narrows and accelerates incoming flows allowing sampling despite lack of substantial fall gradient.



### TECHNICAL DATA

Materials: \_\_\_\_\_ Rotationally Molded Polyethylene

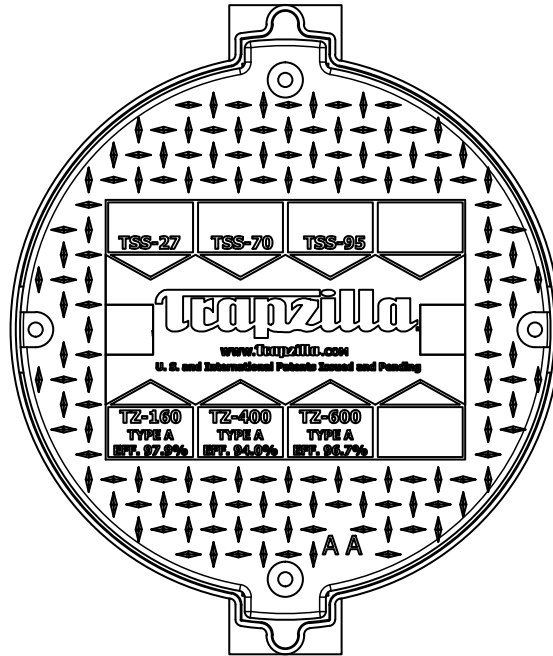
Inlet/Outlet Size: \_\_\_\_\_ 4" (102 mm)

Fall Gradient: \_\_\_\_\_ 0.5" (12.7 mm)

### INSTALLATION INFORMATION

#### Suggested Minimum Footprint Dimensions

Trapzilla Sample Ports require 6" (15.24 cm) of clearance all the way around the lid from walls or other structures to allow for servicing.



READ instruction manual included with system before doing anything.

Install unit allowing for the minimum clearances shown.

Make piping connections with rubber "No Hub" connectors.

Keep outlet piping as straight as possible. Use only "sweep" connections.

If installing in conjunction with other Thermaco products, include cleanout port between each unit.

**DO NOT reduce pipe size on outlet piping.**

**DO NOT install "P" trap on outlet connection.**

NOTE: Drawing for reference only. Equipment must be installed in compliance with all applicable laws, regulations and codes, including plumbing codes. Installation should be performed by a qualified plumber.

#### Job Specification:

Wastewater Sampling Port(s) shall be Thermaco **Trapzilla** Sampling Port as manufactured by Thermaco, Inc., Asheboro, North Carolina as noted on plans.

#### Sampling Port Specifications:

Furnish and install \_\_\_ Thermaco **Trapzilla** Model No. TZSP-40, linear low-density rotationally molded polyethylene wastewater sampling port(s) for below-ground installation with fully removable polyethylene self-positioning keyed cover equipped with brass fasteners for sampling access, 0.5" (12.7 mm) fall, 4" (102 mm) Inlet/Outlet interior diameter, and patent-pending flume technology for preventing sediment build-up and allowing horizontal filling access.

