

**PRODUCT FEATURES**

Constructed of corrosion resistant materials suitable for installation in virtually any location.

Compact footprint.

Baffle structure retains separated grease increasing retention efficiency of separator.

Included lid rated for foot-traffic only

**SPECIFICATIONS**

Construction: \_\_\_\_\_ Single-Piece Rotationally Molding Polyethylene Exterior Tank with Inlet/Outlet Inverts secured using Patented Interior Radial Compression Ring

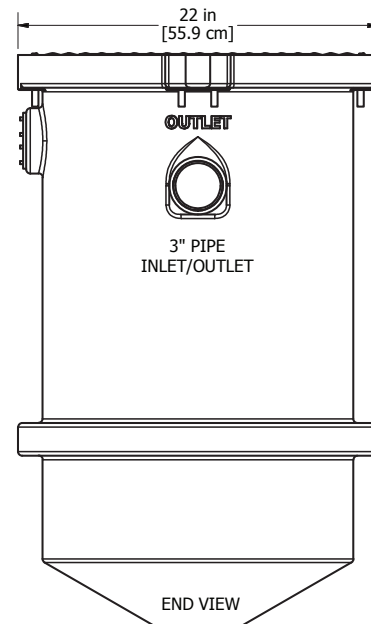
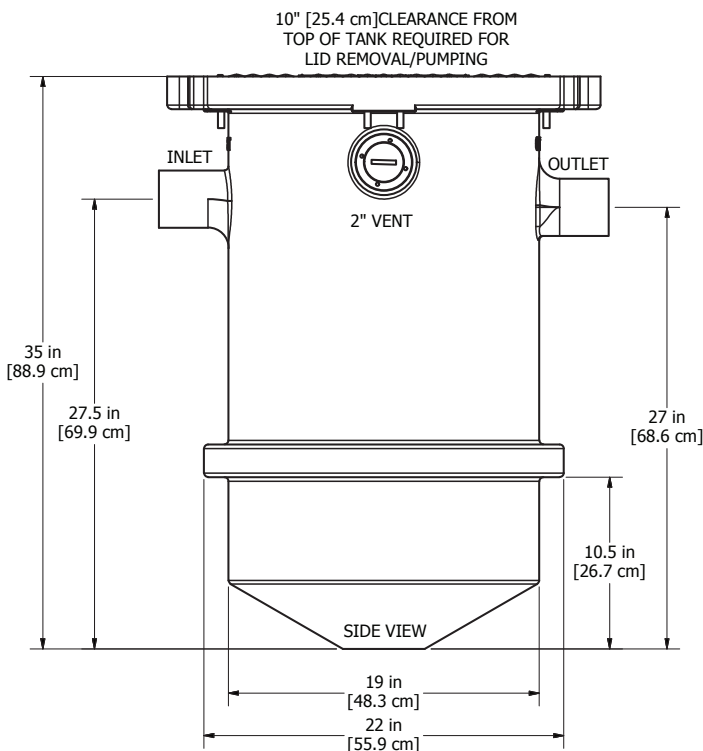
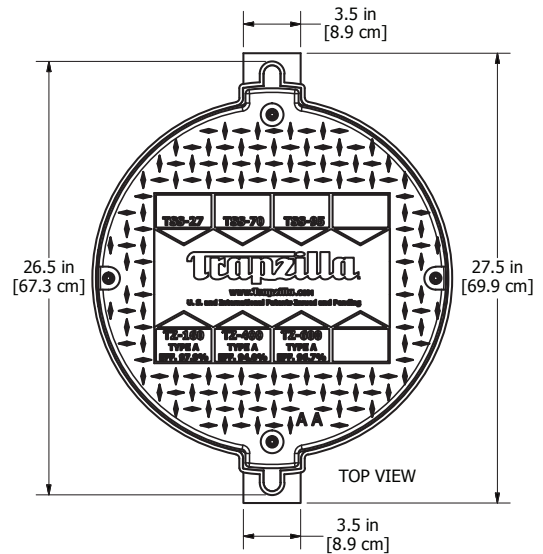
Flow Rating: \_\_\_\_\_ 35 gpm (2.21 l/s)

Liquid Capacity: \_\_\_\_\_ 27 gallons (102 l)

Grease Capacity: \_\_\_\_\_ 22.7 gallons (85.9 l)  
167.7 lbs. (76.1 Kg)

Solids Capacity: \_\_\_\_\_ 8.3 gallons (31.4 l)

Inlet/Outlet: \_\_\_\_\_ 3" (75 mm)





# Trapzilla® Grease Interceptor

## TZ-160 Specifications

### **NOTES**

1. READ instruction manual included with system before installing/operating.
2. Unit requires 6" (15.24 cm) of clearance all the way around the lid from walls or other structures to allow for servicing.
3. Make piping connections with rubber "No Hub" connectors.
4. Keep outlet piping as straight as possible. Use only "sweep" connections.
5. Install vent on outlet piping.
6. If installing in conjunction with other Trapzilla products, include cleanout port before, after, and/or between each unit.
7. Do not install "P" Trap on outlet connection of tank (unit already has internal gas trap).
8. Do not reduce pipe size on outlet piping
9. Do not pressure test unit.

Equipment must be installed in compliance with all applicable laws, regulations and codes, including plumbing codes. Installation should be performed by a qualified plumbing contractor.

### **JOB SPECIFICATION**

Grease separator(s) shall be Thermaco **Trapzilla** hydromechanical grease interceptor system(s) as manufactured by Thermaco, Inc., Asheboro, North Carolina as noted on plans.

### **SEPARATOR SPECIFICATIONS**

Furnish and install \_\_\_\_\_ Thermaco Trapzilla Model No. TZ-160, rotationally molded polyethylene grease interceptor(s) for above or below ground installation, shall be rated at 35 gpm (2.21 l/s) with 22.7 gallons (85.9 l) / 167.7 lbs. (76.1 Kg) of total grease storage capacity with flat separation efficiency curve capable of holding 84% of volume in free-floating fats, oils, and grease at capacity, with removable cover for grease and solids removal access, integral anti-flotation anchor ring for in-ground installation, integral horizontal baffle, laminar inlet flow diverter, integral vessel vent, separate storage compartments for grease and heavier than water solids, a unitary tank body and 3" (75 mm) inlet/outlet structures without gasket interfaces, utilizing an interior radial compression ring conjoining invert to tank outlet/inlet structures without bulkhead fittings and/or gaskets, invert top and bottom secured attachment points, sloping conical bottom for solids retention, integral sewer gas trap, and a fully removable polyethylene self-positioning cover with sealed thread fasteners.

### **SUBMITTAL OPTIONS**

- ECA-TZ-29 Extension Collar
- TZSP-40 Sampling Port with 4" Inlet/Outlet, 0.5" fall
- TZSP-48 Sampling Port with 4" Inlet/Outlet, 7.8" fall
- TSS-27 Solids Interceptor for additional Solids Capacity
- FTCA-22 Fabricated Top Cover Assembly with diamond plate aluminum surface for heavy duty foot-traffic, pallet jacks, food carts etc. (not rated for vehicle traffic)
- VFCA-35 Vented Flow Control Assembly for installation at plumbing fixture level to limit flow to 35 gpm for installations with head height greater than 6'