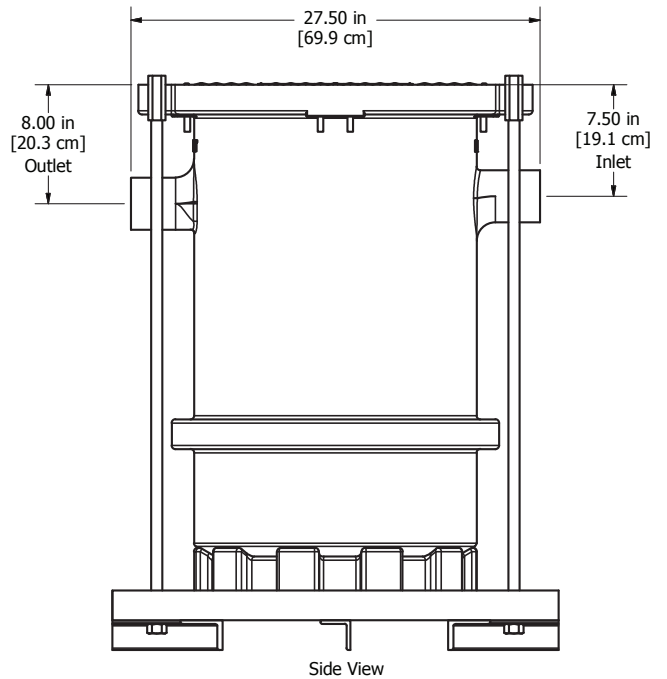
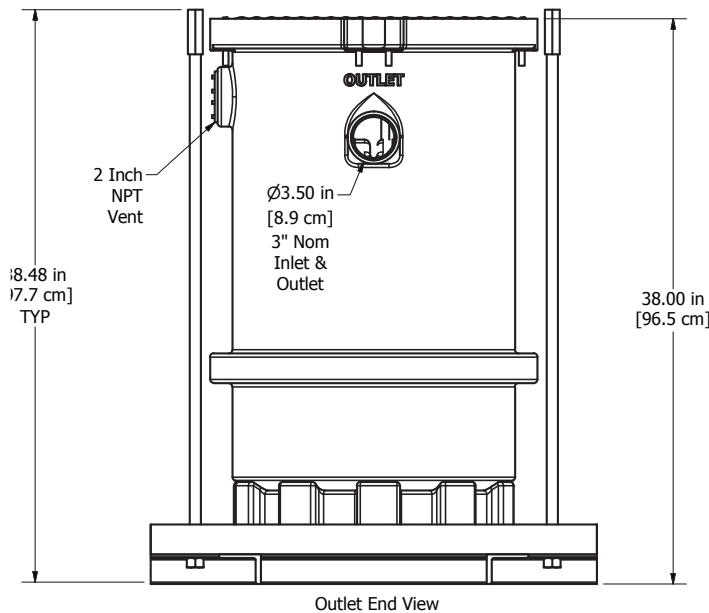


***Trapzilla TZ-160 MUST BE PURCHASED SEPARATELY**



Thermaco, Inc. supplies the frame & support base with the HA-160. This include four (4) 36" threaded rods and the nuts to connect to a contractor-installed, in-floor suspension mount. This kit needs to be installed by a licensed contractor. The contractor is responsible for determining weight loads, preparation of the floor for installation and any construction necessary for installation of the suspension kit.

One SSA-160 Support Frame comes with the HA-160.

