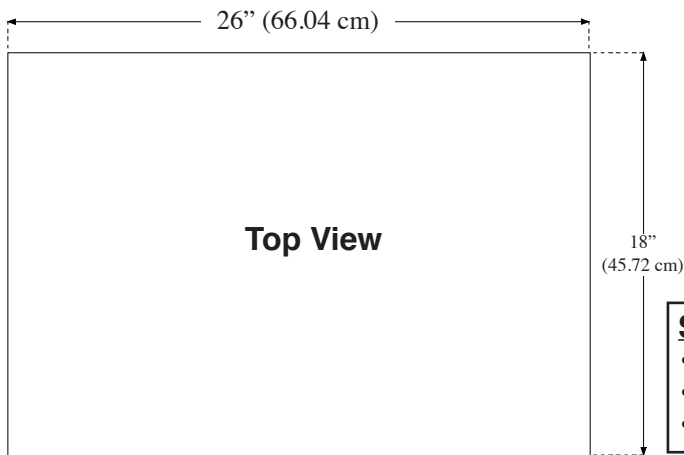
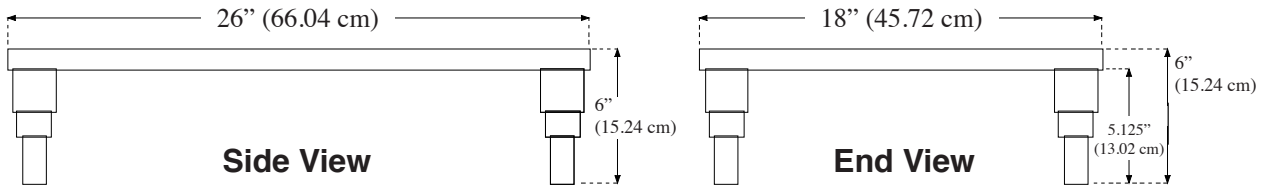


SFK Support Frame Kits Model W-200-IS through W-250-IS

Big Dipper Unit Support Frame Kits

For those applications requiring Big Dipper units to be raised off the floor to accommodate sanitation, the optional SFK-1 Support Frame Kit is available. This Frame raises W-200-IS through W-250-IS Units off of the floor directly at the source. The sturdy, compact design lends itself easily to tight installations.



* Maximum Effective Height - unit will rest on this level. The SFK-1 has Adjustable Legs.

SFK-1

- For Models W-200-IS, W-250-IS & W-250-AST
- Stainless Steel Construction
- Adjustable Legs (up to 1" of adjustability)

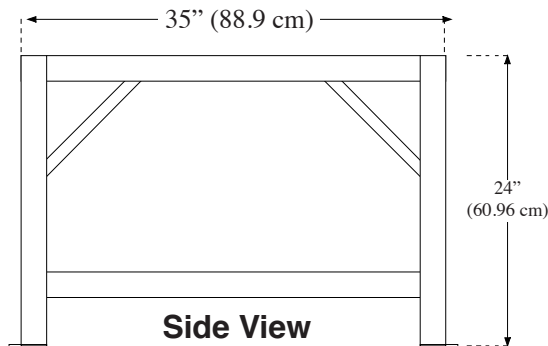


Big Dipper® W-200-IS & SFK-1 Support Frame

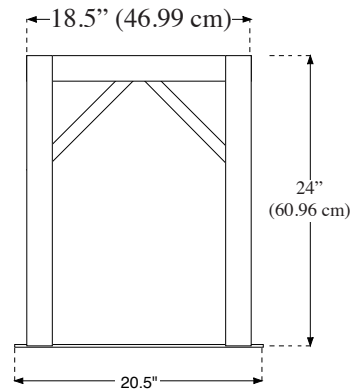
SFK Support Frame Kits W-200-IS Through W-350-IS

Big Dipper Unit Support Frame Kits

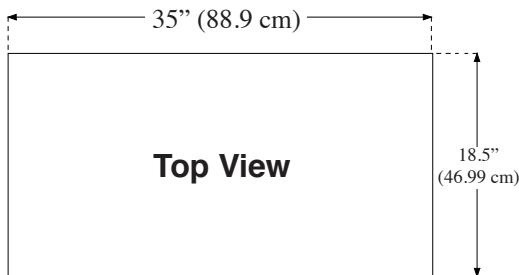
For those applications in a basement or another location requiring Big Dipper units to be raised off the floor, the optional SFK Support Frame Kit is available. The sturdy, compact design lends itself easily to tight installations. The height of the frames allows use of the DRUM-55 Grease Collector when coupled with the SA-1 Sump Adapter Kit. Shipped ready to assemble.



Side View



End View



Top View

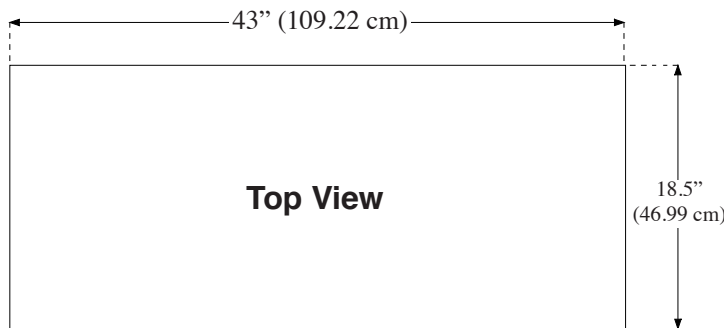
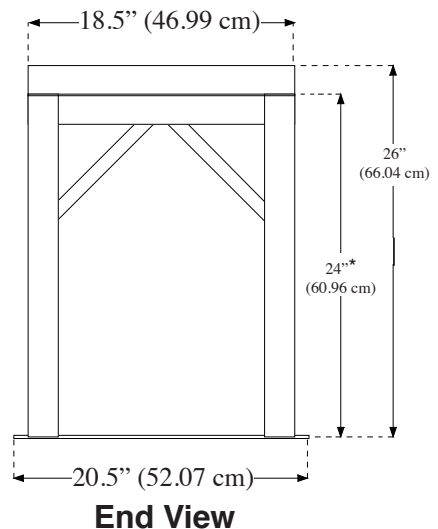
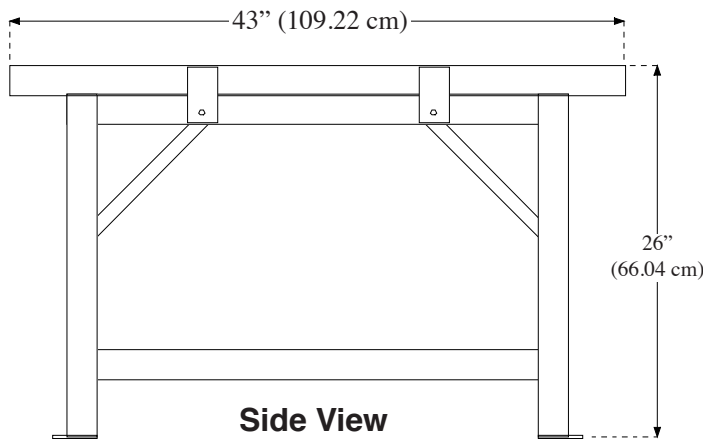
SFK-2

- For Models W-200-IS , W-250-IS, W-250-AST, W-350-IS & W-500-IS.
- Stainless Steel Construction
- Use with 55 Gallon Grease Barrel (DRUM-55)



Big Dipper® W-1250-IS & SFK-4 Support Frame

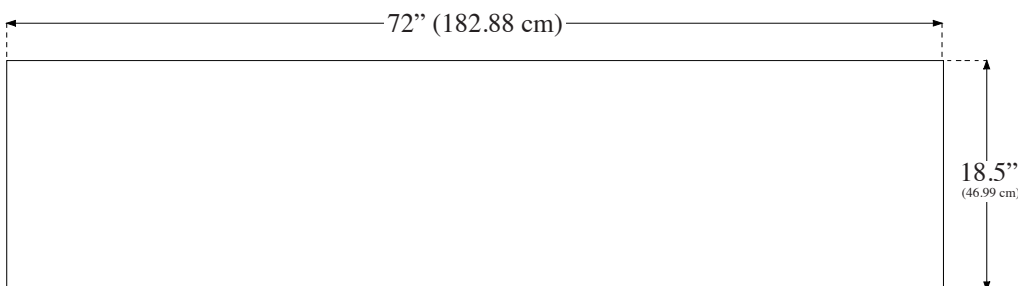
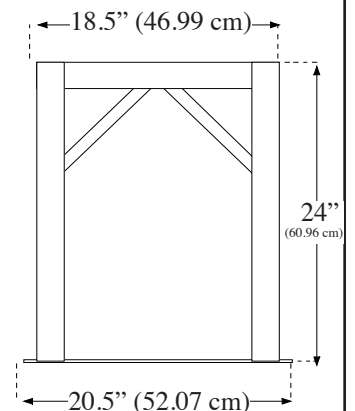
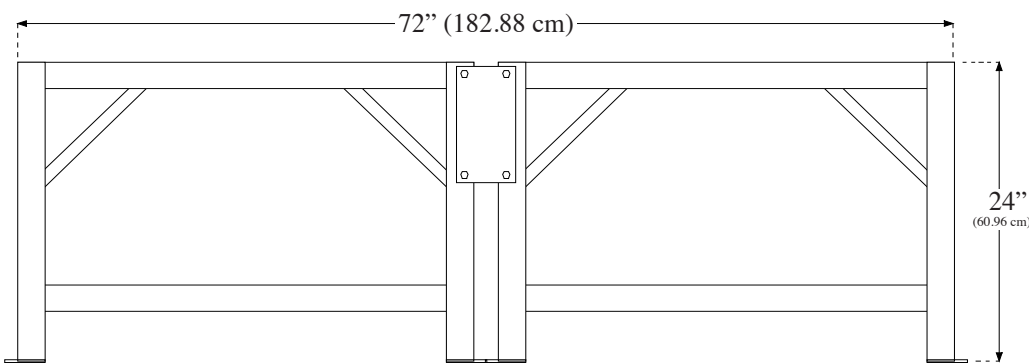
SFK Support Frame Kits W-500-IS Through W-1250-AST



* Effective Height - unit will rest on this level

SFK-3

- For Models W-500-IS , W-750-IS & W-750-AST
- Stainless Steel Construction
- Use with 55 Gallon Grease Barrel (DRUM-55)



SFK-4

- For Models W-1250-IS & W-1250-AST
- Stainless Steel Construction
- Use with 55 Gallon Grease Barrel (DRUM-55)