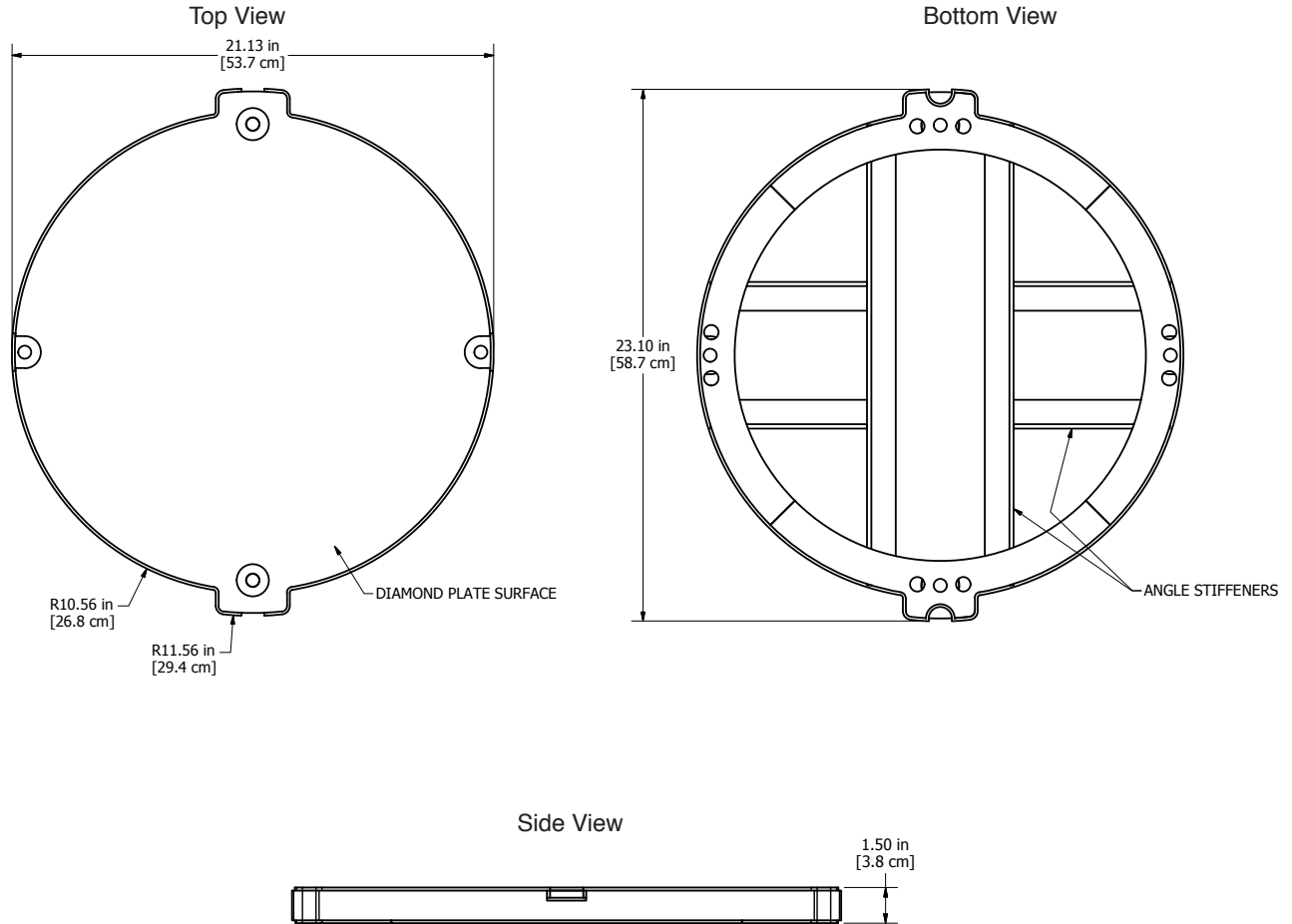


## FTCA-22 Fabricated Top Cover



Material: Diamond Plate Aluminum

The FTCA-22 Top Cover takes the place of the 22" Diameter Solid Top Cover and is compatible with the TZ-160, Standard Adapter Top Cover, ECA-29 and ECA-18. It provides a durable, non-slip, diamond plate surface (not shown in drawing) for installation in high traffic areas such as a kitchen floor.

**\*The FTCA-22 Top Cover is not rated for vehicle traffic. For a traffic rated solution, refer to our drawings [here](#).**