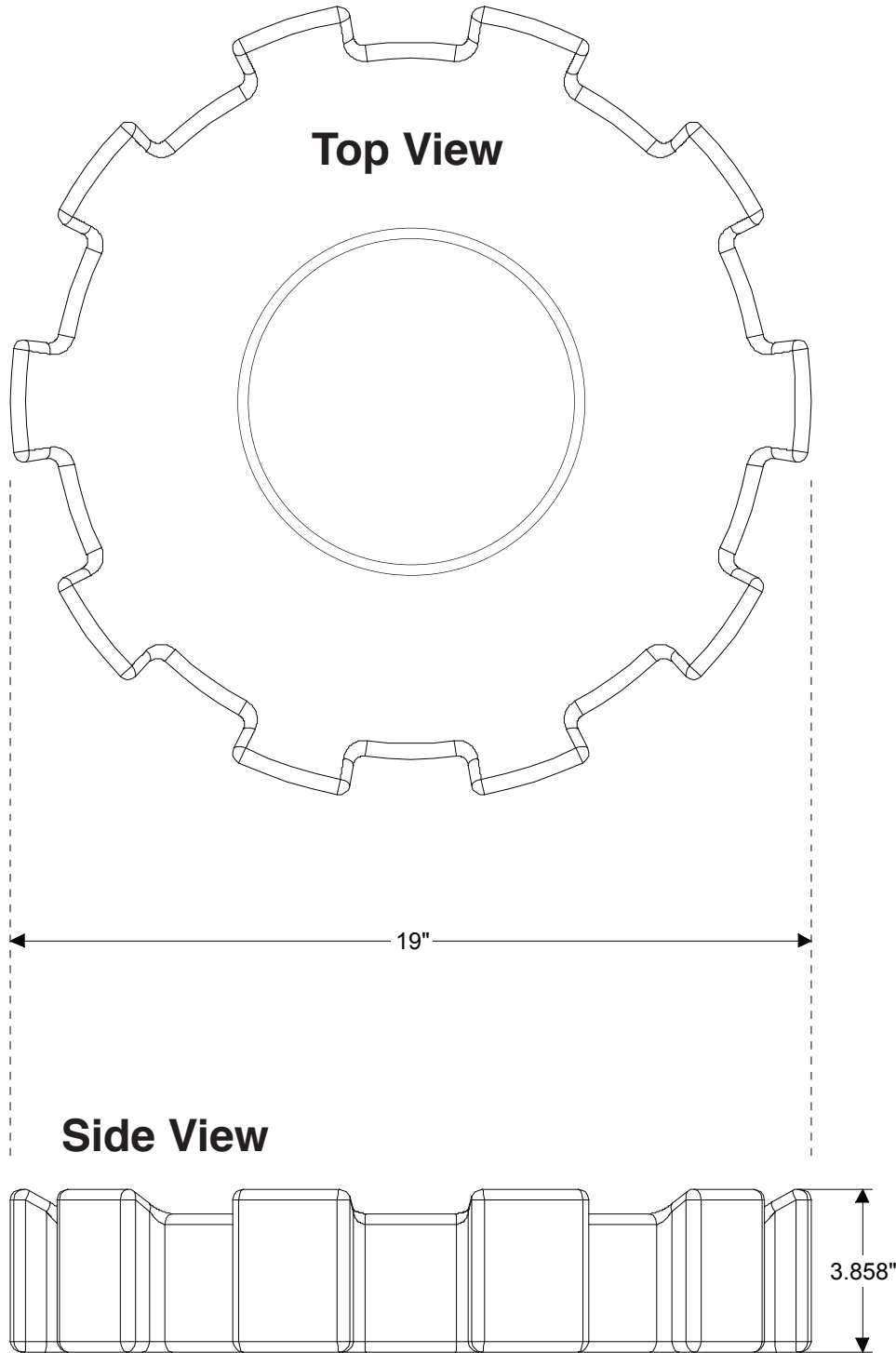




Trapzilla® Supercapacity
Grease Trap System Options

SSA-160 Support Stand

Material: Rotationally Molded Polyethylene



The SSA-160 Support Stand is a single piece construction that sits on the floor. It does not add appreciable height to the assembly.

©2008 Thermaco, Inc. • All rights reserved • Patented/Patents Pending • Specifications subject to change without notice