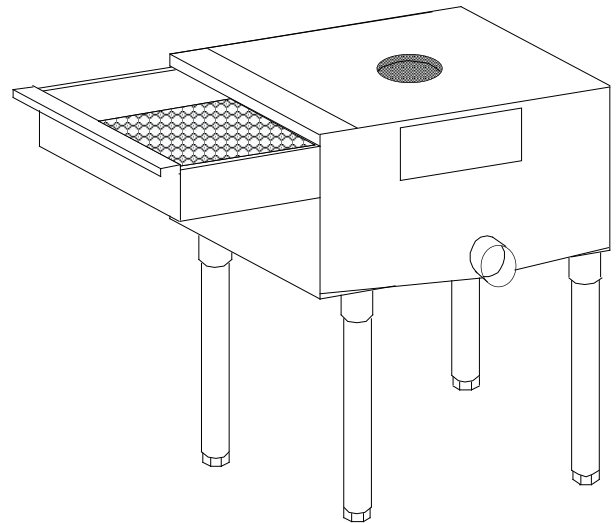


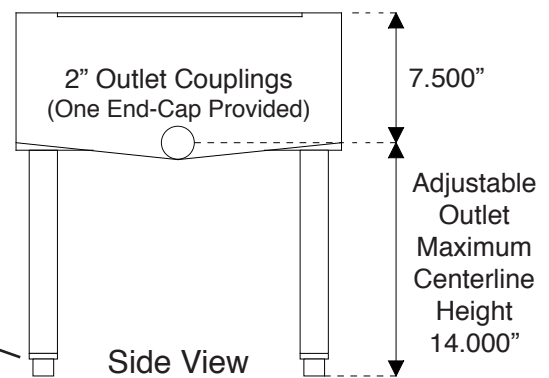
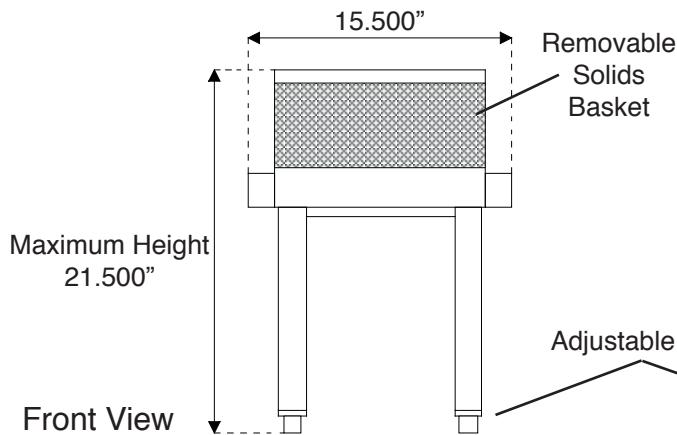
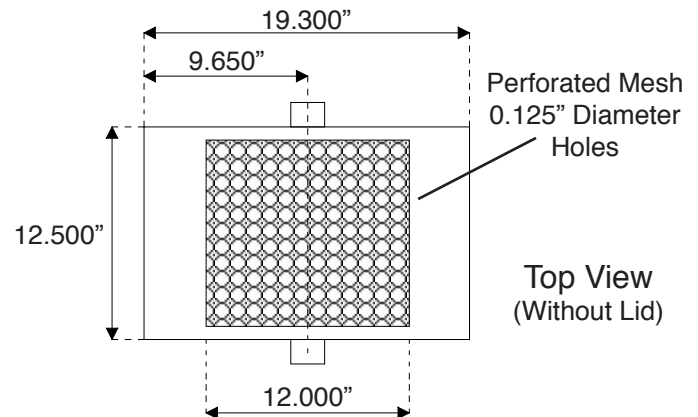
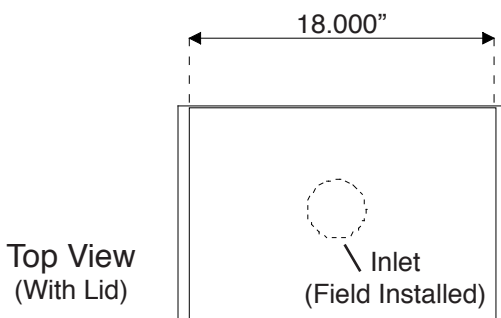
FS-1 Flat Strainer For Point Source Use

The **Big Dipper® FS-1 Flat Strainer** is designed to eliminate the garbage disposal and reduce clogged drains due to coarse solids buildup. The Flat Strainer separates & collects coarse solids such as rice, cole slaw and other food scraps larger than 0.125" / 3.175 mm in diameter. The removable tray allows the customer to empty the collected coarse solids directly into a trash receptacle. The FS-1 is constructed of durable stainless steel and offers a simple solution for solids waste disposal.



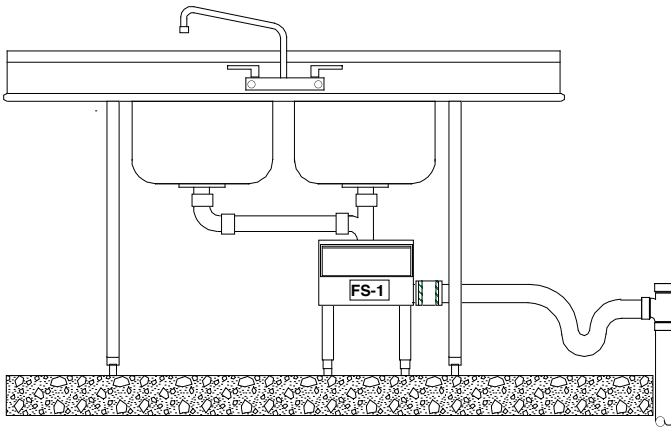
FS-1 Flat Strainer Features

- **Stainless Steel Construction**
- **Field-Modifiable Polycarbonate Lid Cover**
- **Adjustable Height**
- **Removable Tray**

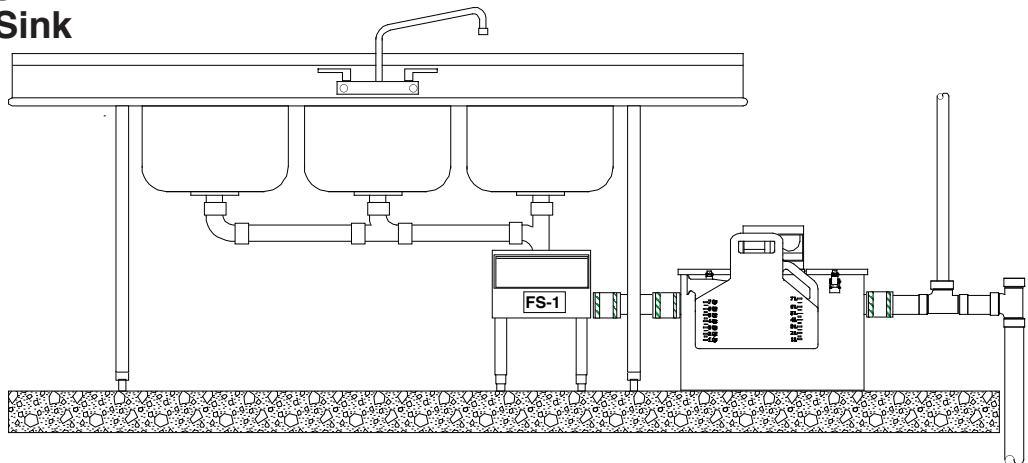


FS-1 Flat Strainer

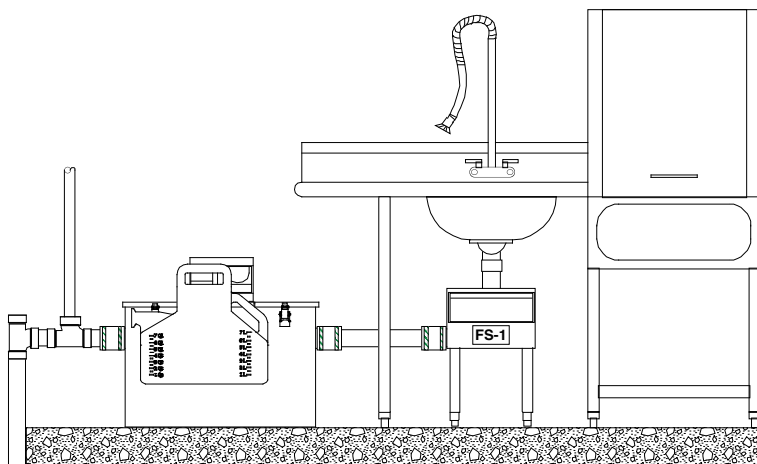
FS-1 Servicing a Food Preparation Sink (Non-Grease Bearing Flows)



FS-1 Servicing a Ware Washing Sink



FS-1 Servicing a Pre-Rinse Station



NOTE: Drawing for reference only. Equipment must be installed in compliance with all applicable laws, regulations and codes, including plumbing codes. Installation should be performed by a qualified plumber.