



CZONE-1
CleanZone™

The **Big Dipper® CleanZone™ Sanitary Shroud** (Part # CZONE-1) prevents food particles & other kitchen debris from falling down between the back of Big Dipper unit and the wall of the installation. This option also allows for easier mopping around the Big Dipper unit. The CleanZone™ fits Big Dipper W-200-IS, W-250-IS and W-250-AST Point Source Grease Removal Units. It may be trimmed in the field to fit around baseboard moldings or drainage piping. Durable ABS material construction allows for easy field modification for narrow gaps between the wall and Big Dipper unit.

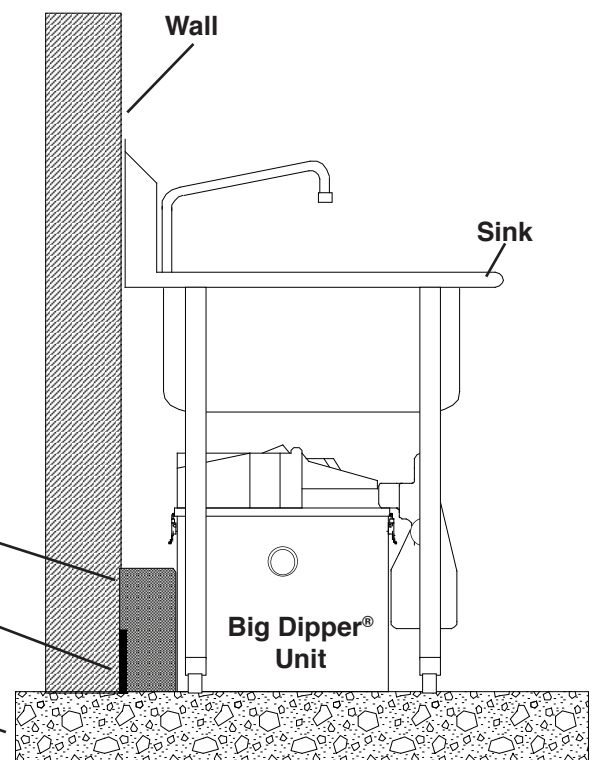
Features:

- Fits Big Dipper W-200-IS, W-250-IS & W-250-AST Point Source Big Dipper Units
- Durable ABS Construction
- 10" in height, 8" maximum width
- Prevents food particles & other debris from dropping behind unit
- Allows easy mopping around Big Dipper unit
- Field modifiable

CZONE-1 CleanZone™
Trimmed to fit between
Wall & Big Dipper unit

Moulding

Floor



*CZONE-1 CleanZone™ Patents/Patents Pending

©2007 Thermaco, Inc. All rights reserved • Patented/Patents Pending • Specifications subject to change without notice